

ROYALTY CONTEST

Fremont County

Fair & Rodeo 2020

Contest Dates: August 24 & 25, 2019

Entry Deadline - August 19, 2019 - By 5:00PM

Contest is under the direction of the
Fremont County Fair Royalty Committee

Dear Potential Fremont County Fair & Rodeo Royalty,

We want you to know that we are excited about your interest in being a contestant for the upcoming royalty contest! The Fremont County Fair Royalty program is a very fun and rewarding experience. As the Fremont County Fair Royalty Committee, we hope to provide you with a fun filled, as well as challenging contest. We hope to see you there!

If you have any questions or are looking for advice you can reach out to any of the members listed below:

Pam Rivers – Royalty Coordinator – [\(307\) 856-9704](tel:3078569704) or [\(307\) 851-9452](tel:3078519452)

Becky Burrell – Chairperson- [\(307\) 851-1996](tel:3078511996)

Heather Holbert –Vice Chairperson

Brenda Cadwallader– Treasurer - [\(307\) 850-5264](tel:3078505264)

Kenna Sweglar –Secretary – [\(307\) 851-2089](tel:3078512089)

Teri Cash–Fairboard Liason

Rhonda Slack–Member at Large

Rules & Regulations

ELIGIBILITY: Each **Lady in Waiting** contestant must not be less than 17 years of age or more than 23 years of age as of January 1, 2019. Each **Jr. Queen** contestant must not be less than 14 years of age or more than 16 years of age as of January 1, 2019. Each **Princess** contestant must not be less than 11 years of age or more than 14 years of age as of January 1, 2019. Each **Ambassador** male contestant must not be less than 12 years of age or more than 23 years of age as of January 1, 2019. All contestants shall never have been married or had children, shall not have been involved in or currently in a cohabitating relationship, shall waive liability and be a legal resident of Fremont County. There will be a contestant fee of \$20.00, which includes the meal, payable to Fremont County Friends of Fair.

ENTRY DEADLINE: August 19, 2019 at 5:00PM.

JUDGING: Contestants will be judged on (1) Appearance; (2) Personality; (3) Horsemanship; (4) Impromptu Questions; (5) A Written Test on Fremont County Fair and Rodeo; (6) Modeling; (7) Two to Three Minute Speech (Topic of speech is "What does the Fremont County Fair mean to you"). The Judges will seek sincerity, integrity, attractiveness, high moral standards and maturity.

RESPONSIBILITIES OF QUEEN, LADY IN WAITING, JR. QUEEN, PRINCESS, ATTENDANTS, and AMBASSADORS: The Queen, Lady in Waiting, Jr. Queen, Princess, Attendants, and Ambassador shall help hand out Fremont County Fair ribbons and trophies at the Fremont County Fair and Rodeo Horse Days and the Fremont County Fair. The Fremont County Fair Rodeo Queen Committee, the Queen, Lady In Waiting, Jr. Queen, Princess, Attendants, and Ambassador and the Fremont County Fair Manager will determine the schedule. The Queen, Lady In Waiting, Jr. Queen, Princess, Attendants, and Ambassador will make two radio appearances prior to the fair, which will promote the Fremont County Fair. They will also represent the Fremont County Fair & Rodeo at the two Fremont County Fair Rodeos and the Fremont County Fair Parade and other various night shows at the county fair.

CONTEST DATES: The contest will be held on August 24 & 25, 2019. The contest will begin on August 24th at 6:00 PM with the horsemanship portion at the CWC Equine Center Arena. The contest will continue with Interviews beginning Sunday, August 25, at 10:00 AM at the Central Wyoming College Intertribal Center - Wind River room. Modeling, speeches and impromptu questions will begin at 1:00 PM in the Wind River room, with lunch for the contestants and guests to follow. *Schedule subject to change. If the contest is cancelled for any reason the entry fees will be refunded.

SUBMITTING ENTRY: Please mail or hand-deliver entries to: Barney Cosner, Fremont County Fair Manager, 1010 Fairgrounds Dr., Riverton, WY 82501. If you need to reach Barney, please call (307)856-6611.

ADDITIONAL INFORMATION: Please keep this page and horsemanship patterns for your information and mail or hand-deliver Official Entry Form, Acknowledgement and Release form, and Fact Sheet along with a copy of your birth certificate to the above address.

Acknowledgement & Release Form

I hereby acknowledge that I have read and understand the official Rules and Regulations of the FCFR Royalty contest and requirements of Contestant eligibility as stated above.

SIGNATURE OF
CONTESTANT _____

SIGNATURE OF PARENT OR
GUARDIAN _____

(if contestant is under the age of 18)

DATE _____

Official Entry Form

Fremont County Fair & Rodeo Royalty Contest

Contestant's Name _____

Address _____ City _____

Home Phone _____ Cell Phone _____

Birthdate _____ (PLEASE PROVIDE COPY OF BIRTH CERTIFICATE WITH YOUR APPLICATION)

- A. Contestants shall never have been married or had children, shall not have been involved in or currently in a cohabitating relationship, shall waive liability and be a legal resident of Fremont County.
- B. Contestant must not have been convicted of any felony, convictions for misdemeanors may be waived at the discretion of the Fremont County Fair and Rodeo Royalty Committee.
- C. All Royalty contestants must be in western attire throughout the entire contest. Chaps are not allowed. For the horsemanship portion of the contest; boots, hat, jeans and a snap or button-down western shirt are required. If you have questions regarding appropriate western attire, please contact a member of the Royalty committee.
- D. In the case of a tie, the Horsemanship Judges' scores will determine the winner of the royalty title.
- E. Royalty contestants or family members of royalty contestants may not approach the judges at any time throughout the contest.
- F. Contestant hereby grants permission to the FCFR Committee to verify any and all information contained on their application and attest that the information they provide is true.
- G. A contestant must agree to abide by all contest rules with the possibility of disqualification for infractions.
- H. It is the duty and obligation of anyone in a competition of this status to portray the highest of moral and ethical standards, show the true ideals of youth and set an example above reproach.
- I. Should circumstances ever occur that a contestant is conducting herself/himself in an inappropriate manner or being disrespectful, they will be disqualified from the competition. If the contestant becomes pregnant or fathers a child during their reign, they will forfeit their crown, title, and all benefits derived from the contest title.
- J. Reapplying to compete in succeeding FCFR Royalty contests—In order to run for FCFR Royalty in successive years a participant that has been removed from a position shall complete a special application to the FCFR Royalty committee which will be reviewed on an individual basis.
- K. The winner of the FCFR Royalty Contest must agree not to marry the year of their reign. If they should marry the title will go to the next contestant in succession.
- L. All applications must be approved. Any decision made by the FCFR Royalty committee to prohibit or accept an application for the FCFR Royalty contest is final, and is at the FCFR Royalty committees' complete discretion.
- M. If you are chosen to be part of the FCFR Royalty you must notify the current royalty coordinator of your decision and sign official contract and commitment within 5 days of contest selection.

FACT SHEET

(Please PRINT & SEND Original)

Contestants' Full Name: _____

Physical Address: _____

Mailing Address (if different): _____

City: _____ State: _____ Zip Code: _____

Home: _____ Cell: _____

Email Address: _____

Date of Birth: Month _____ Day: _____ Year _____

Current or last school attended: _____

College (please list major or degrees earned): _____

Father's Name: _____ Mother's Name: _____

Special Interests and Activities: _____

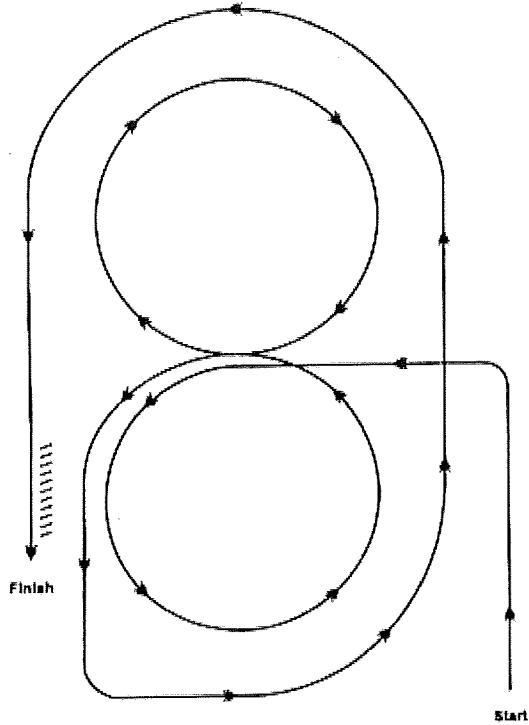
What are your current school or career goals? _____

What is your life ambition? _____

Why would you like to be FCFR Royalty? _____

Princess Horsemanship Pattern

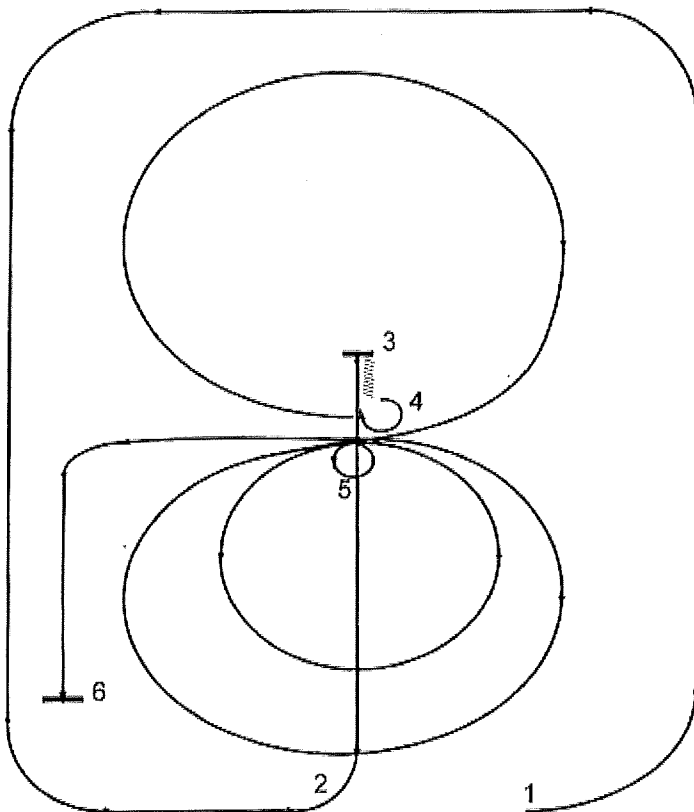
Pattern 1



Horsemanship Pattern 1:

1. Do extended jog along side of arena, then to center
2. Begin lope at center of arena and lope left circle on left lead
3. Change leads at center of arena and lope right circle on right lead
4. Change leads and continue loping around end of arena
5. Once on the straight, increase speed and continue around end of arena
6. Stop and back

Pattern 2

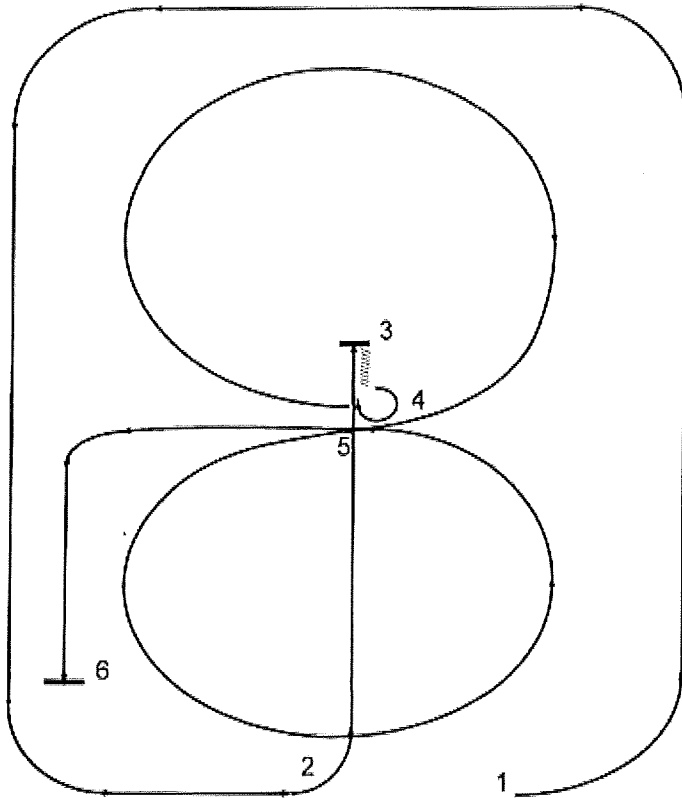


Horsemanship Pattern 2

1. Circle the arena, on the left lead, at an extended lope.
 2. Guide left and lope down the center of the arena with moderate speed.
 3. Pass the center of the arena, stop and back to the center.
 4. Execute a 3/4 turn to the right and lope a circle, to the right, with moderate speed.
 5. Stop in the center, execute a 360 degree turn, to the left. Lope a small slow circle, to the left, followed by a larger, faster circle to the left. At the center of the arena, rate back to the slower speed and continue loping on the left lead toward the end of the arena.
 6. Stop and pause to show completion of pattern.
-

Queen/Lady In Waiting Horsemanship Pattern

Pattern 3



Horsemanship Pattern 3

1. Circle the arena, on the left lead, at an extended lope.
2. Guide left and lope down the center of the arena with moderate speed.
3. Pass the center of the arena, stop and back to the center.
4. Execute a 3/4 turn to the right and lope a circle, to the right, with moderate speed.
5. Change leads and lope a circle, to the left, with moderate speed. After completing the circle, continue loping on the left lead toward the end of the arena.
6. Stop and pause to show completion of pattern.