



Senior Citizens

Ceramics, Coverlets & Quilts, Hand-Painted Porcelain, Hanging Art, Holiday, Household Articles, Leather Crafting, Photography, Wood

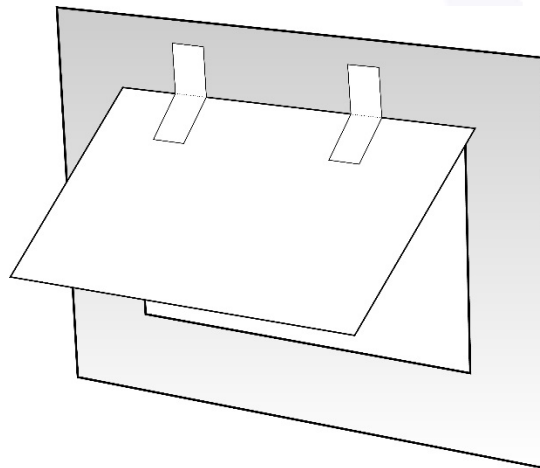
Processing Fee: Non-refundable \$4 per entry
Entry Deadline: Friday, August 30, 2019
Take-In Date: Saturday, September 14, 8am – 5pm
Located in Central Park Hall

General Rules

1. This division is open to anyone 62 years of age and over.
2. Entries must have been made within the last two years and made entirely by the exhibitor.
3. Sweepstakes awards will only be awarded in divisions where five (5) or more entries are being judged.

Photography

1. All photos must be 8" x 10" or 8" x 12" – Any other sizes will be disqualified
2. No frames
3. No foam boards
4. Construction paper is not acceptable matting
5. All mats must be 11" x 14"
6. Must be matted with no backing against the photograph (see example below)



7. Only one layer of matting is to be used – Multiple layers will be disqualified



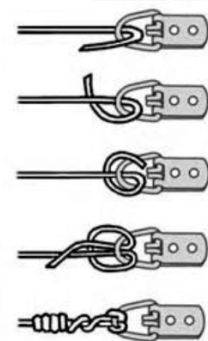
8. All portraits must have a model release form. Only exception is photography of your own children.
9. All photos must have the exhibitor's name, division and class on the back bottom right hand corner.

Wood

1. Entries are to be constructed predominately of wood.

Hanging Art

1. Must not exceed 30" x 30", including frame.
2. Must have a hanging wire on the back of the frame. See example:



3. Do not use yarn, thread, string or tape to attach wire