

PHOTOGRAPHY

Divisions 45 - 51

Superintendent

Leon Warner – Sapulpa, OK

Entry Deadline: Friday, August 28, 2020. Entries must be submitted online at www.tulsastatefair.com

Processing Fee: \$5 per entry

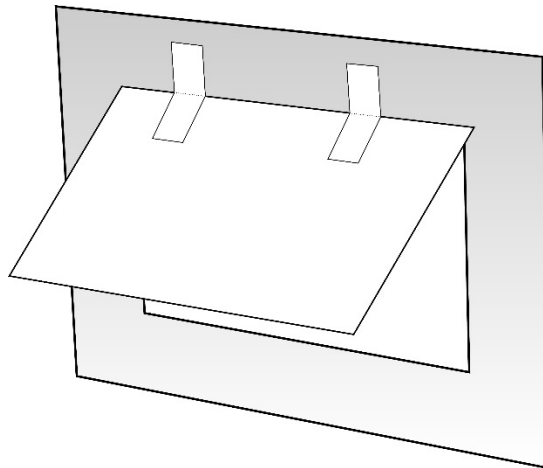
Entry Delivery: Saturday, September 26, per schedule determined after entry deadline

Entry Exhibit Dates: October 1 – October 10

Entry Pick Up Date: Week of October 12 - 16, per schedule determined after entry deadline

DIVISION RULES

1. Photos of offensive, controversial or objectionable nature or subject matter may not be accepted.
2. All photos must have been taken between October 2019 and September 2020.
3. ENTRIES ARE LIMITED TO ONE PER CLASS. You may enter as many classes as you would like.
4. All photographs may be edited only to include cropping, adjusting contrast, sharpening the image, etc.
5. All photos must be 8" x 10" or 8" x 12" – Any other sizes will be disqualified
6. No frames
7. No foam boards
8. Construction paper is not acceptable matting
9. All mats must be 11" x 14"
10. Must be matted with no backing against the photograph (see example below)



11. Only one layer of matting is to be used – Multiple layers will be disqualified
12. All portraits must have a model release form. Only exception is photography of your own children.
13. All photos must have the exhibitor's name, division and class on the back bottom right hand corner.
14. Definitions
 - Youth: Younger than 18 years old on the day of take-in, (9/19/2020)
 - Senior Citizen: 62 years of age or older on the day of take-in, (9/19/2020)
 - Adult: 18 years or older on the day of take-in, (9/19/2020)
 - Amateur: Two years or less experience. Exhibitors are only allowed to enter as an amateur for two years.
 - Open: More than two years' experience, hobbyist.
 - Professional: Collects more than 50% of annual income from photography services or business or presents oneself to the public as a professional.
 - Enhanced: Digitally manipulating or altering the image. The content of the picture is changed significantly from the original, either by dramatic changes in content, select colorization, high dynamic range, compositing, or other methods that alter the image/incorporate multiple photos into a single image.
 - Unclassified: Does not fit any other category listed. May not be used as a secondary class for a photo that fits into another class that you have already entered
 - Exceptional: Limited mental capacity or physical disability. Sizing and material guidelines also apply to Exceptional Division.
15. Judging Criteria

- Originality – 30%
Impact on viewer, unique approach to subject matter
- Execution Quality – 30%
Technique, craftsmanship, excellent mastery and application of photographic skills and principles
- Composition – 30%
Arrangement and balance of visual elements
- Presentation – 10%
Prepared and secured neatly to meet requirements

DIVISIONS & CLASSES

Division 45: Amateur

Color

- Class 01: Portrait
- Class 02: Animal, birds or fowl
- Class 03: Animal, reptiles and amphibians
- Class 04: Animal, insect
- Class 05: Animal, all others not listed
- Class 06: Candid
- Class 07: Scenic, water
- Class 08: Scenic, sky and/or sun
- Class 09: Scenic, mountains
- Class 10: Scenic, all others
- Class 11: Cityscape
- Class 12: Commercial
- Class 13: Architectural
- Class 14: State Fair (any)
- Class 15: Floral
- Class 16: Agriculture
- Class 17: Unclassified (does not fit into any other class)
- Class 18: Sports
- Class 19: Macro, any subject
- Class 20: Patriotic
- Class 21: Oklahoma
- Class 22: Weather
- Class 23: Entertainment
- Class 24: Transportation
- Class 25: The Color Red
- Class 26: Fashion
- Class 27: Abstract
- Class 28: Food

Black and White

- Class 29: Portrait
- Class 30: Animal, birds or fowl
- Class 31: Animal, reptiles and amphibians
- Class 32: Animal, insect
- Class 33: Animal, all others not listed
- Class 34: Candid
- Class 35: Scenic, water
- Class 36: Scenic, sky and/or sun
- Class 37: Scenic, mountains
- Class 38: Scenic, all others
- Class 39: Cityscape
- Class 40: Commercial
- Class 41: Architectural
- Class 42: State Fair (any)
- Class 43: Floral
- Class 44: Agriculture
- Class 45: Unclassified (does not fit into any other class)
- Class 46: Sports
- Class 47: Macro, any subject

Class 48: Oklahoma
Class 49: Weather
Class 50: Entertainment
Class 51: Transportation
Class 52: Fashion

**Division 46: Open
Color**

Class 53: Portrait
Class 54: Animal, birds or fowl
Class 55: Animal, reptiles and amphibians
Class 56: Animal, insect
Class 57: Animal, all others not listed
Class 58: Candid
Class 59: Scenic, water
Class 60: Scenic, sky and/or sun
Class 61: Scenic, mountains
Class 62: Scenic, all others
Class 63: Cityscape
Class 64: Commercial
Class 65: Architectural
Class 66: State Fair (any)
Class 67: Floral
Class 68: Agriculture
Class 69: Unclassified (does not fit into any other class)
Class 70: Sports
Class 71: Macro, any subject
Class 72: Patriotic
Class 73: Oklahoma
Class 74: Weather
Class 75: Entertainment
Class 76: Transportation
Class 77: The Color Red
Class 78: Fashion
Class 79: Abstract
Class 80: Food

Black and White

Class 81: Portrait
Class 82: Animal, birds or fowl
Class 83: Animal, reptiles and amphibians
Class 84: Animal, insect
Class 85: Animal, all others not listed
Class 86: Candid
Class 87: Scenic, water
Class 88: Scenic, sky and/or sun
Class 89: Scenic, mountains
Class 90: Scenic, all others
Class 91: Cityscape
Class 92: Commercial
Class 93: Architectural
Class 94: State Fair (any)
Class 95: Floral
Class 96: Agriculture
Class 97: Unclassified (does not fit into any other class)
Class 98: Sports
Class 99: Macro, any subject
Class 100: Oklahoma
Class 101: Weather
Class 102: Entertainment
Class 103: Transportation
Class 104: Fashion

Division 47: Professional**Color**

- Class 105: Portrait
- Class 106: Animal, birds or fowl
- Class 107: Animal, reptiles and amphibians
- Class 108: Animal, insect
- Class 109: Animal, all others not listed
- Class 110: Candid
- Class 111: Scenic, water
- Class 112: Scenic, sky and/or sun
- Class 113: Scenic, mountains
- Class 114: Scenic, all others
- Class 115: Cityscape
- Class 116: Commercial
- Class 117: Architectural
- Class 118: State Fair (any)
- Class 119: Floral
- Class 120: Agriculture
- Class 121: Unclassified (does not fit into any other class)
- Class 122: Sports
- Class 123: Macro, any subject
- Class 124: Patriotic
- Class 125: Oklahoma
- Class 126: Weather
- Class 127: Entertainment
- Class 128: Transportation
- Class 129: Color Red
- Class 130: Fashion
- Class 131: Abstract
- Class 132: Food

Black and White

- Class 133: Portrait
- Class 134: Animal, birds or fowl
- Class 135: Animal, reptiles and amphibians
- Class 136: Animal, insect
- Class 137: Animal, all others not listed
- Class 138: Candid
- Class 139: Scenic, water
- Class 140: Scenic, sky and/or sun
- Class 141: Scenic, mountains
- Class 142: Scenic, all others
- Class 143: Cityscape
- Class 144: Commercial
- Class 145: Architectural
- Class 146: State Fair (any)
- Class 147: Floral
- Class 148: Agriculture
- Class 149: Unclassified (does not fit into any other class)
- Class 150: Sports
- Class 151: Macro, any subject
- Class 152: Oklahoma
- Class 153: Weather
- Class 154: Entertainment
- Class 155: Transportation
- Class 156: Fashion

Division 48: Enhanced

- Class 157: Portrait
- Class 158: Animal, birds or fowl
- Class 159: Animal, reptiles and amphibians
- Class 160: Animal, insect

Class 161: Animal, all others not listed
Class 162: Candid
Class 163: Scenic, water
Class 164: Scenic, sky and/or sun
Class 165: Scenic, mountains
Class 166: Scenic, all others
Class 167: Cityscape
Class 168: Commercial
Class 169: Architectural
Class 170: State Fair (any)
Class 171: Floral
Class 172: Agriculture
Class 173: Unclassified (does not fit into any other class)
Class 174: Sports
Class 175: Macro, any subject
Class 176: Oklahoma
Class 177: Weather
Class 178: Entertainment
Class 179: Transportation
Class 180: Color Red
Class 181: Fashion

Division 49: Junior

Ages 5 & Under

Class 182: Color
Class 183: Black & White

Ages 6 – 9

Class 184: Candid
Class 185: Scene
Class 186: Animals, domestic
Class 187: Animals, wild
Class 188: Comedy
Class 189: People
Class 190: Action
Class 191: Flowers
Class 192: State Fair (any fair)
Class 193: Oklahoma
Class 194: Weather
Class 195: Entertainment
Class 196: Sports
Class 197: Black and white, any subject
Class 198: Enhanced

Ages 10 – 13

Class 199: Candid
Class 200: Scene
Class 201: Animals, domestic
Class 202: Animals, wild
Class 203: Comedy
Class 204: People
Class 205: Action
Class 206: Flowers
Class 207: State Fair (any fair)
Class 208: Oklahoma
Class 209: Weather
Class 210: Entertainment
Class 211: Sports
Class 212: Black and white, any subject
Class 213: Enhanced

Ages 14 – 17

Class 214: Candid
Class 215: Scene

Class 216: Animals, domestic
Class 217: Animals, wild
Class 218: Comedy
Class 219: People
Class 220: Action
Class 221: Flowers
Class 222: State Fair (any fair)
Class 223: Oklahoma
Class 224: Weather
Class 225: Entertainment
Class 226: Sports
Class 227: Black and white, any subject
Class 228: Enhanced

Division 450: Senior

Class 229: Nature
Class 230: Scenic, with water
Class 231: Scenic, without water
Class 232: Portrait
Class 233: Architectural
Class 234: Oklahoma
Class 235: State Fair (any fair)
Class 236: Military
Class 237: Animals, domestic
Class 238: Animals, wild
Class 239: Butterflies & insects
Class 240: Candid
Class 241: Sports/action
Class 242: Sunrise/sunset
Class 243: Weather
Class 244: Transportation
Class 245: Food
Class 246: Black and White, any

Division 51: Exceptional (All Ages)

**Exceptional entries refer to those with limited mental capacity or physical disability.*

Class 247: Black and white, any subject
Class 248: Color, any subject