



Pre-School, Children & Junior's

Ceramics, Culinary, Exceptional, Hanging Art, Hobbies & Collections, Horticulture, Household Art, Legos, Photography & Special Art

Processing Fee: Non-refundable \$3 per entry

Entry Deadline: Friday, August 30, 2019

Take-In Dates: **All Divisions with exception of Baked Goods and Horticulture**

Saturday, September 14, 8am – 5pm

Located in Central Park Hall

Baked Goods and Horticulture

Saturday, September 21, 10am – 3pm

Baked Goods and Horticulture are located in Central Park Hall

ENTRIES ARE LIMITED TO ONE PER CLASS. You may enter as many classes as you would like.

Culinary

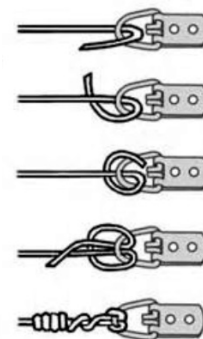
1. Must submit recipe for each entry, typed or written legibly on Official Tulsa State Fair recipe form with name on the back.; bring on entry take-in day. Do not mail.
2. Baked goods must be in disposable containers and covered. Cookies may be on paper plate in gallon resealable bag.
3. Cakes must be baked in 8" or 9" round or square pan. Maximum height is 6" including decorations. . Take out of cake pan and place on cake board.
4. Use of prepared mixes or prepared materials (i.e. icing) is prohibited, unless otherwise stated.
5. Bread must be submitted in full size loaf, no mini loafs will be accepted.
6. Rolls, biscuits, muffins, cupcakes and cookies must have six (6).
7. All baked goods will be judged directly after take-in.
8. Baked goods will not be returned; winners may pick-up their ribbons, Monday, October 7th, 2019.
9. **NEW** **Canned Goods Recipe must include:** processing procedure used, time processed and date it was canned.
10. All canned goods will be judged by appearance and proper canning process.



11. All canned goods must be in clear canning jars with lid and ring; no colored jars will be accepted. Jam must be in standard ½ pint jar and pickled vegetable in standard pint or quart jar. Must follow proper canning process for size of jar used.
12. No labels or decorations on jars or lids
13. Canned Goods may be picked-up on Monday, October 7th, in Central Park Hall.

Hanging Art & Pencil

1. Cannot exceed 21" x 24", including frame
2. Must have a hanging wire on the back of the frame. See example



3. Do not use yarn, thread, string or tape to attach wire

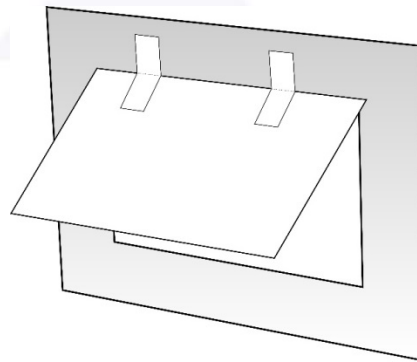
Legos

1. Lego creations must be on an 18" x 18" cardboard or wood base; pieces must be securely attached.



Photography

1. All photos must have been taken between October 2018 and September 2019.
2. All photos must be 8" x 10"
3. No frames
4. No foam boards
5. Construction paper is not acceptable matting
6. All mats must be 11" x 14"
7. Must be matted with no backing against the photograph (see example below)



8. Only one layer of matting is to be used – Multiple layers will be disqualified
9. All portraits must have a model release form.
10. All photos must have the exhibitor's name, division and class on the back bottom right hand corner.

Pumpkin Decorating

1. Weight of pumpkin not to exceed 25 lbs. This will be strictly enforced.
2. After your decorations, pumpkin should still look like a pumpkin.
3. All pumpkins must be real.
4. In the natural/green classes, decorations must be natural.
5. Paint on pumpkins must be completely dry when arriving at take-in.
6. Pumpkin will be moved around. It is important that everything is securely fastened to pumpkin.
7. Pumpkins are not to be carved or punctured.
8. The Tulsa State Fair reserves the right to throw away all pumpkins that begin to decay during the Fair.